



Work Lights

500 LED Range

Common features unless otherwise indicated

Operating Temp: -40°C to +85°C

Lifetime: 20 000 hours

Water tightness: IP 68 - IP 69K

EMC: ISO 13 766 - Earthmoving Equipment • ISO 14 982 - Forestry-Agricultural • ISO 12895 - Handling equipment

Lens: Hardened glass

Salt Spray: ISO 9227

Weight: 0.9 Kg

Connection



Built-in AMP 2 ways



Built-in DT 2 ways

Mounting



Pedestal



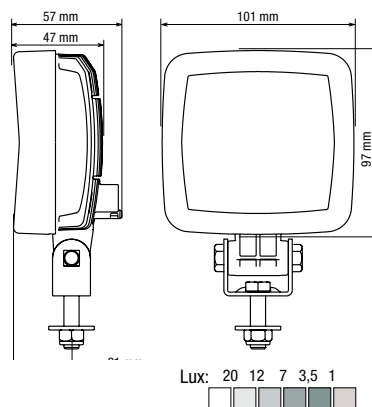
Suspended

ABL 500 LED SL **Wide Range** A0787A649600/a | **Long Range** A0787A649800/a

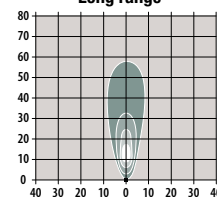


Lumens output	12 LED - 500 Lumen
Light pattern	Flood, Long Range
Color temperature	6000°K
Voltage	Multi 12-24 V
Intensity	0,25 Amp @ 24V
Consumption	6W
Load Dump	36V continuous/72V 100 ms/1800 V 50 µs
Polarity	Protected against reverse voltage
Housing	plastic-aluminum
Vibration resistance	15 Grms from 24 to 2000Hz
Reflector	Free form reflector

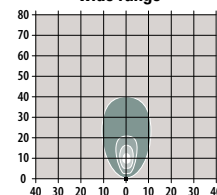
Dimensions / Light patterns



Long range



wide range

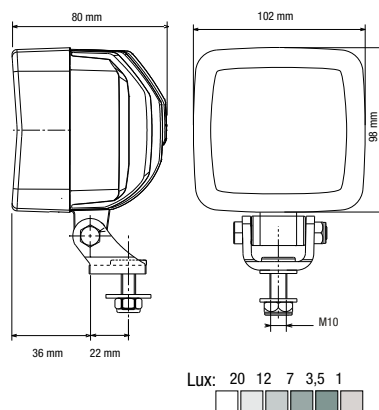


ABL 500 LED 850 **Wide Range** A0787A646800/a | **Long Range** A0787A647400/a

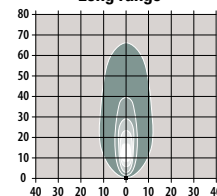


Lumens output	Flux 850 Lumen
Light pattern	Flood, Long Range
Color temperature	6000°K
Voltage	Multi 12-24 V
Intensity	0,46 Amp @ 24Vdc
Consumption	18W
Load Dump	36V continuous/72V 100 ms/1800 V 50 µs
Polarity	Protected against reverse voltage
Electronic Thermal Mngt	Full output @ +35°C ambient 25% dimmed @ +50°C ambient
Vibration resistance	15 Grms from 24 to 2000Hz
Shock resistance	60 G
Reflector	Free form reflector

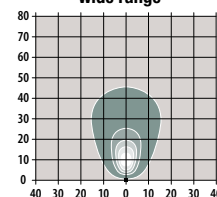
Dimensions / Light patterns



Long range



wide range



SIRAC sari

www.sirac.fr/signalisation

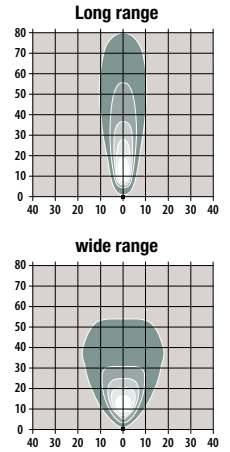
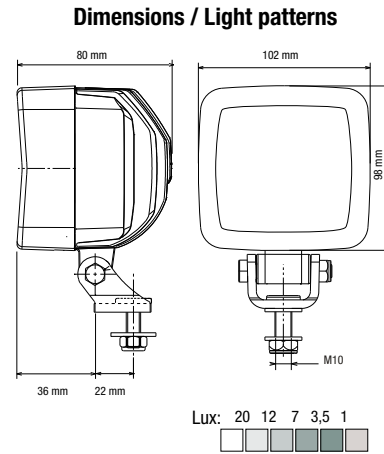


siracfrance

ABL 500 LED 1200 Wide Range A0787A595600/a | Long Range A0787A595900/a



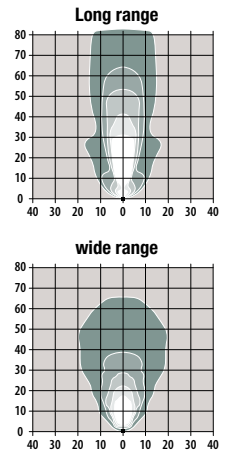
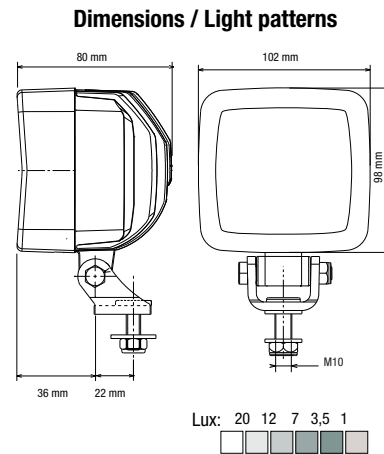
Lumens output	5 LED - 1200 Lumen
Light pattern	Flood, Long Range
Color temperature	6000°K
Voltage	Multi 12-100 V
Intensity	0,82 Amp @ 24V
Consumption	20W
Load Dump	130V continuous/200V 100 ms/1800 V 50 µs
Polarity	Protected against reverse voltage
Electronic Thermal Mngt	Full output @ +35°c ambient 20% dimmed @ +50°c ambient
Vibration resistance	15 Grms from 24 to 2000Hz
Shock resistance	60 G
Reflector	Free form reflector



ABL 500 LED 2000 Wide Range A0787A609100/a | Long Range A0787A609400/a



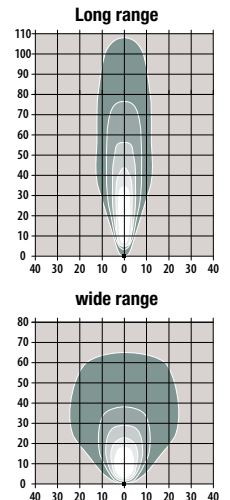
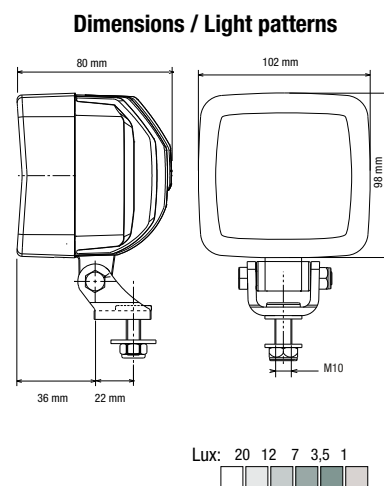
Lumens output	6 LED - 2000 Lumen
Light pattern	Flood, Long Range
Color temperature	6000°K
Voltage	Multi 12-100 V
Intensity	1,2 Amp @ 24V
Consumption	28W
Load Dump	130V continuous/200V 100 ms/1800 V 50 µs
Polarity	no polarity
Electronic Thermal Mngt	Full output @ +35°c ambient 20% dimmed @ +50°c ambient
Vibration resistance	15 Grms from 24 to 2000Hz
Shock resistance	60 G
Reflector	Free form reflector



ABL 500 LED 3000 Wide Range A0787A632300/a | Long Range A0787A632500/a



Lumens output	6 LED - 3000 Lumen
Light pattern	Wide Flood, Flood, Long Range
Color temperature	6000°K
Voltage	Multi 12-100 V
Intensity	1,5 Amp @ 24V
Consumption	36W
Load Dump	130V continuous/200V 100 ms/1800 V 50 µs
Polarity	no polarity
Electronic Thermal Mngt	Full output @ +35°c ambient 20% dimmed @ +50°c ambient
Vibration resistance	15 Grms from 24 to 2000Hz
Shock resistance	60 G
Reflector	multi lens system



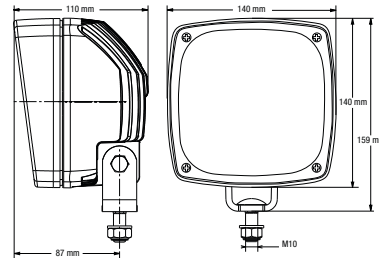


ABL 2500 LED 5000

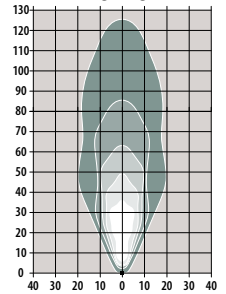
Wide range A0727A651900/a | Flood A0727A616200/a | Long Range A0727A616000/a

Lumens output	10 LED - 5000 Lumen
Light pattern	Wide Flood, Flood, Long Range
Color temperature	6000°K
Voltage	Multi 12-100 V
Intensity	2,15 Amp @ 24V
Weight	1,8 Kg
EMC	ISO 13 766 - ISO 14 982
Consumption	57W
Load Dump	110V continuous/200V 100 ms/1800 V 50 µs
Polarity	Protected against reverse voltage
Electronic Thermal Mngt	Full output @ +35°C ambient 20% dimmed @ +50°C ambient
Vibration resistance	20 Grms from 24 to 2000Hz
Water Tightness	IP 68 - IP 69K
Shock resistance	80 G
Reflector	multi lens system
Operating Temp	-40°C to +85°C
Salt Spray	ISO 9227

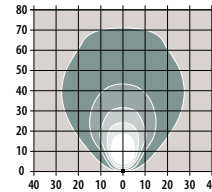
Dimensions / Light patterns



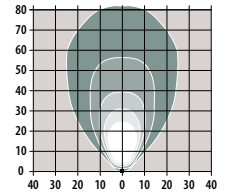
Long range



wide range



Flood



Lux: 20 12 7 3,5 1







Off Road

Connection



Built-in AMP 2 ways Built-in DT 2 ways

Mounting



Pedestal Suspended Side mount

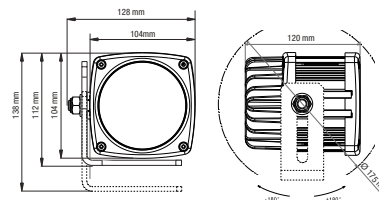
ABL MyLED 2700

Flood A0690A636200/a

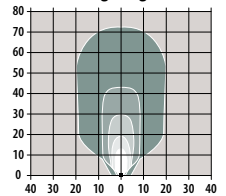


Lumens output	6 LED - 2700 Lumen
Light pattern	Flood
Color temperature	6000°K
Voltage	Multi 12-24V
Intensity	1,5 Amp @ 24V
Water tightness	IP68 - IP69K
Salt Spray	ISO 9227
Consumption	36W
Polarity	Protected against reverse voltage
Operating Temp	-40°C to +60°C
Housing	aluminum
Reflector	free form reflector + active lens

Dimensions / Light patterns



Long range



Lux: 20 12 7 3,5 1



SIRAC sarl

www.sirac.fr/signalisation



siracfrance

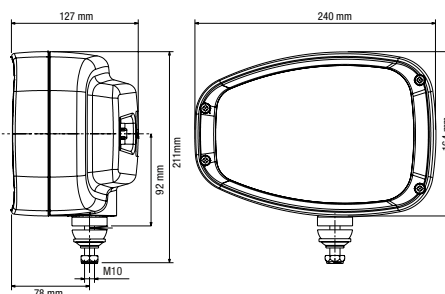


ABL 3830 LED Left A0831A647600/a | Right A0831A647700//a

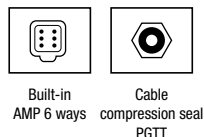


Bulb	full LED modules
Light pattern	ECE R112 High / Low Beam - ECE R6 Turn Signal and Repeater - ECE R7 Pilot Light
Color temperature	6000°K
Voltage	Multi 12-24 V
Intensity	1,29 Amp @ 24V (Low Beam) 0.85 Amp @ 24V (High Beam)
Consumption	22W High Beam, 32W Low Beam
Load Dump	36V continuous/72V 100 ms/1800 V 50 µs
Polarity	Protected against reverse voltage
Electronic Thermal Mngt.	protected against over heating
Vibration resistance	15 Grms from 24 to 2000Hz
Shock resistance	60 G
EMC	ISO 13 766 - ISO 14 982 - ISO 12 895 – CISPR25 Class3
Reflector	free form reflectors and aspherical lenses modules
Water Tightness	IP 68 - IP 69K
Operating Temp	-40°C to +85°C
Salt Spray	ISO 9227
Weight	1,95 Kg

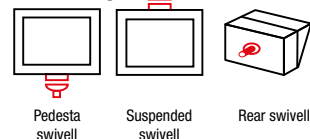
Dimensions / Light patterns



Connection



Mounting

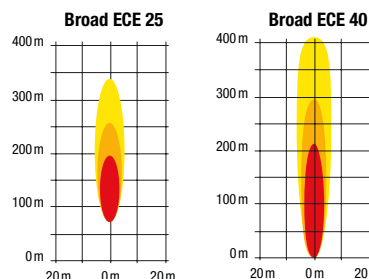
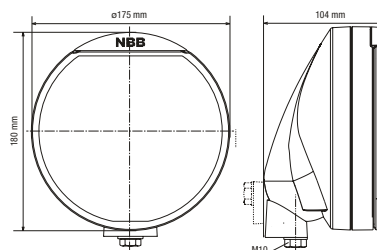


Alpha 175 LED Long Range A0190A657800/a



Bulb	LED module
Color temperature	5700°K
Light pattern	ECE Pilot Light LED / ECE Broad Class 25 / ECE Broad Class 40
Voltage	multi voltage 12 V, 24V
Consumption	8W for ECE 25 version / 13W for ECE 40 version
Intensity	0,33 Amp @ 24 Vdc for ECE 25 version 0,54 Amp @ 24 Vdc for ECE 40 version
Operating Temp	-40°C to +60°C
Polarity	Protected against reverse voltage
Weight	1,1 Kg
Water Tightness	IP 68 - IP 69K
Salt Spray	ISO 9227 - 240h
Housing	black fibre reinforced plastic
Reflector	Free form reflector

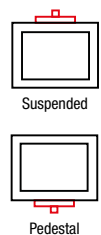
Dimensions / Light patterns



Connection



Mounting





ABL lights group Service Lights Reverse

Common features unless otherwise indicated

Operating Temp: -40°C to +60°C

Lifetime: 20 000 hours

Water tightness: IP 68 - IP 69K

EMC: ECE RIO

Lens: Hardened glass

Salt Spray: ISO 9227

Connection



Built-in AMP 2 ways



Built-in DT 2 ways

Mounting



Pedestal



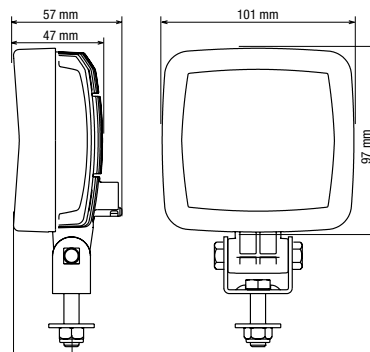
Suspended

ABL 500 LED SL Reverse A0787A649600/a



Lumens output	12 LED - 500 Lumen
Light pattern	ECE Reverse light R23 - ADR approved
Color temperature	6000°K
Voltage	Multi 12-24 V
Intensity	0,25 Amp @ 24V
Consumption	6W
Load Dump	36V continuous/72V 100 ms/1800 V 50 µs
Polarity	Protected against reverse voltage
Housing	plastic-aluminum
Reflector	Free form reflector

Dimensions

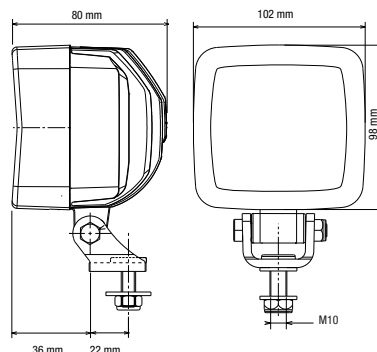


ABL 500 LED 850 Reverse A0787A658900/a



Lumens output	12 LED - 850 Lumen
Light pattern	ECE Reverse light R23 - ADR Approved
Color temperature	6000°K
Voltage	Multi 12-24 V
Intensity	0,46 Amp @ 24V
Consumption	11W
Load Dump	36V continuous/72V 100 ms/1800 V 50 µs
Polarity	no polarity
Housing	aluminum
Reflector	Free form reflector

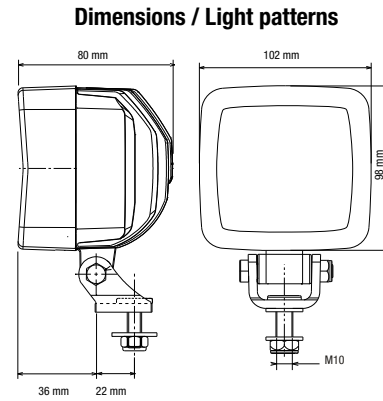
Dimensions





ABL 500 LED 1200 Reverse A0787A622300/a

Lumens output	5 LED - 1200 Lumen
Light pattern	ECE Reverse light R23 - ADR Approved
Color temperature	6000°K
Voltage	Multi 12-24V
Intensity	0,82 Amp @ 24V
Consumption	20W
Load Dump	130V continuous/200V 100 ms/1800 V 50 µs
Polarity	no polarity
Shock resistance	60 G
Reflector	multi lens system



Connection



Built-in
AMP 2 ways



Built-in
DT 2 ways



Wiring harness